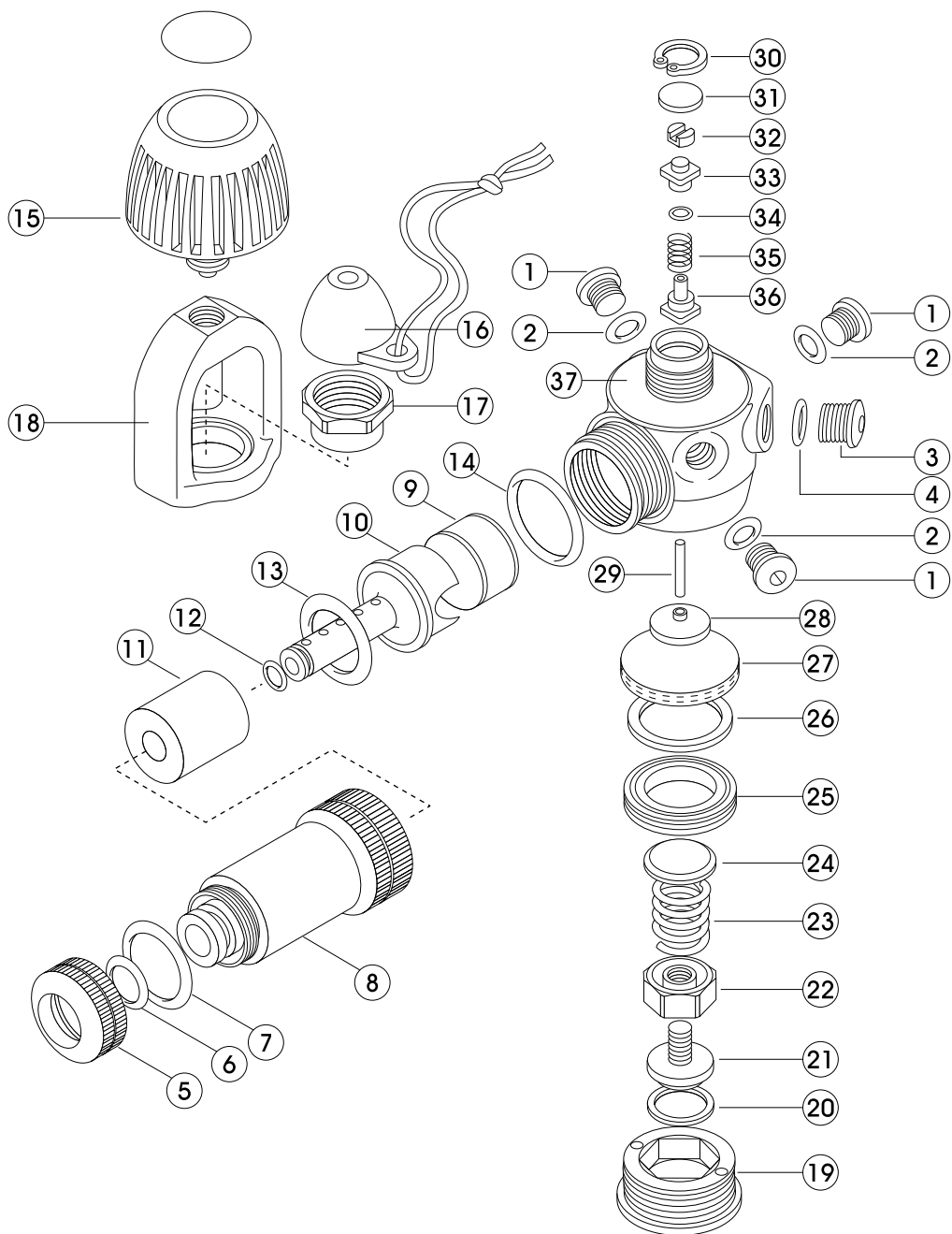


1st stage a-105



No.	Code	Description
1a	3100101101	PLUG (A) : 3/8 FOR L.P.
1b	3100101904	PORT PLUG, 1/2 FOR REGULATOR
2a	3993592011	O-RING ARP-01 1/HS75
2b	3993592013	O-RING ARP-013/HS75
3	3100101903	PORT PLUG, 7/16 FOR H.P. PORT
4	3993898012	O-RING ARP-012/HS90 ID9.25 VITON
5	3100201047	HOUSING CAP
6a	3993092013	O-RING P-14/HS75
6b	3993592016	O-RING ARP-016/HS75
7	3993592022	O-RING ARP-022/HS75
8a	3100201046	MOISTURIZER HOUSING 3/8"
8b	3100201049	MOISTURIZER HOUSING 1/2"
9	1120280002	ACTIVATED CHARCOAL FILTER A-105
10	3102080055	MOISTURIZER TUBE
11	1120200002	MOISTURIZING PAD A-105 42MM
12	3993092004	O-RING P-7 FOR REGULATOR
13a	3103080033	GASKET A-1056 (A-105)
13b	3993592022	O-RING ARP-022/HS75
14	3993592025	O-RING ARP-025/HS75
15	2102080158	YOKE SCREW W/DECAL
16	1184380003	DUST CAP ASSY
17	3100203045	YOKE RETAINER : A-101,105

No.	Code	Description
18	3101001032	YOKE FOR PRESTIGE (L)
19	3100201044	BODY CAP 102
20	3102470303	TEFLON WASHER FOR REGULATOR
21	3100201043	ADJUSTING SCREW FOR REGULATOR
22	3100203047	GUIDE NUT FOR REGULATOR
23	3101200062	ADJUST SPRING FOR L.P:FOR REGULATOR
24	3100101111	SPRING PAD : FOR A-101,2,5,7,8,10,320
25	3100203046	DIAPHRAGM RETAINER FOR REGULATOR
26	3102480001	DIAPHRAGM WASHER PET
27	3103980105	HIGH PRESSURE DIAPHRAGM
28	3100101105	PUSH ROD PAD : FOR A-101,2,5,7,8,10
29	3990100072	PUSH ROD PIN : A-101,2,5,7,8,10
30	3990500101	RETAINING RING
31	3990800411	FILTER 150 MICRON :SUS316 D/12.6 T/1.66
32	3100103073	CHAMBER SPACER
33	2100100050	BALANCE CHAMBER WITH O-RING: A-101,2,5,7,8,10,20
34	3993898006	O-RING ARP-006/HS90 ID2.90 VITON
35	3101200071	HIGH PRESSURE SPRING : A-101,2,5,7,8,10,320
36	3100103210	PTMEG 2000 HIGH PRESSURE SEAT
37	3101001033	BODY A-1056 3/8X3