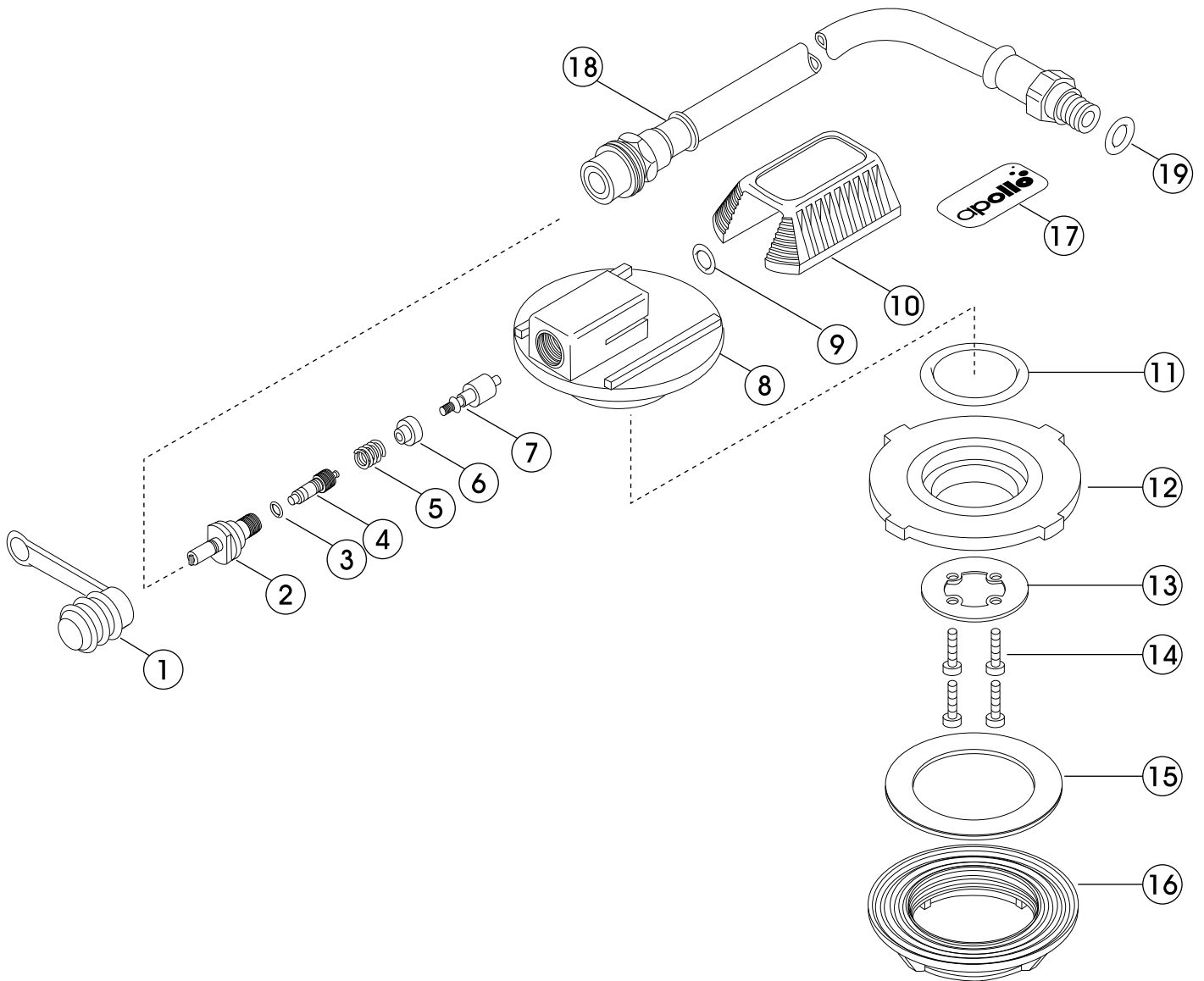


Inlet valve



No.	Code	Description
1	3403080005	VALVE CAP FOR B.V.S.INLET
2	3400103002	RETAINER QD
3	3993592011	O-RING ARP-011/HS75
4	3990900502	21-562-106 VALVE CORE
5	3301200601	VALVE SPRING FOR B.C.
6	2306000010	21-626-004 SEAT ASSY.INFLATOR
7	3300104503	VALVE ROD
8	3402080030	BODY FOR DRY SUIT VALVE
9	3993392503	O-RING S-6/HS75 FOR B.C.
10	3402080001	BUTTON

No.	Code	Description
11	3993090025	O-RING P-25
12	3402080032	BASE FOR DRY SUIT VALVE
13	3401100001	PLATE
14	3990100038	SCREW
15	3402470000	DRY VALVE SLIP RING FOR B.V.S.INLET/EX
16	3402080031	BACK CAP FOR DRY SUITS VALVE
17	3404680001	DECAL FOR DRY SUIT INFLATOR BUTTON
18	2400280181	L.P. HOSE FOR B.V.S.DRY SUIT
19	3993592011	O-RING ARP-011/HS75