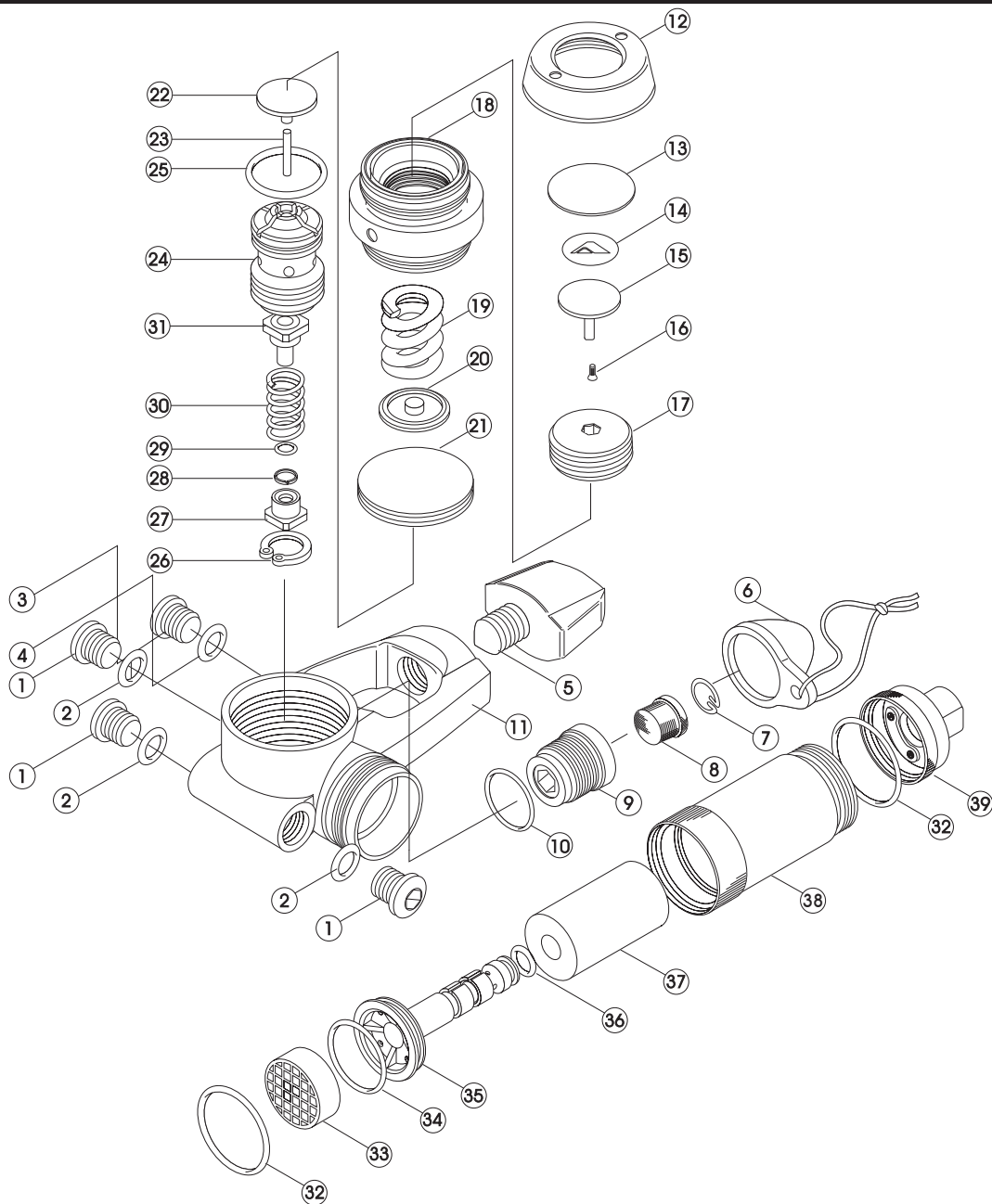


# 1st stage a-110



No.	Code	Description	No.	Code	Description
1	3100101901	3/8 PLUG	21	3103980103	H.P. DIAPHRAGM FOR REGULATOR
2	3993592011	O-RING ARP-011/HS75	22	3100101105	PUSH ROD PAD : A-101,2,5,7,8,10,20
3	3100101102	7/16 PLUG FOR H.P.	23	3990100072	PUSH ROD PIN
4	3993592012	O-RING ARP-012/HS75	24	3100101113	H.P. MODULE : A-102,108,110
5	2122080000	YOKE SCREW	25	3993594017	O-RING ARP-017/HS90
6	1184380003	DUST CAP ASSY	26	3990500101	RETAINING RING
7	3101200064	FILTER RETAINER 01/0 : A-102 A-108 A-110 A-120	27	2100100050	BALANCE CHAMBER W/O O-RING : A-101,2,5,7,8,10,20
8	3990800412	BUCKET FILTER 150 MICRON : SUS316D/12,6T/1,66	28	3102070000	BACK UP RING
9	3120100006	VALVE PORT FOR A-110,120	29	3993592006	O-RING ARP-006/HS75
10	3993592015	O-RING ARP-015/HS75	30	3101200061	H.P. SPRING : A-101,2,5,7,8,10,20
11a	3121300002	BODY A-110 (D.GY)	31	3100103200	H.P. SEAT FOR REGULATOR
11b	3120270004	BODY A-110 (W.SV)	32	3993592023	O-RING ARP-023/HS75
12a	3120100004	OUTER DIAPHRAGM HOLDER : A-110,120 (D.GY)	33	1120280005	MESH CHARCOAL FILTER FOR B/F, B/M & A-107,110,210,230
12b	3120270001	OUTER DIAPHRAGM HOLDER : A-110,120 (W.SV)	34	3993592020	O-RING ARP-020/HS75
13	3102400011	OUTER DIAPHRAGM :HS60 SILICON FOR A-108,110,120	35	3102080069	MOISTURIZER TUBE A-107,110
14	3104681000	BIO MARKED STICKER FOR PISTON	36	3993092004	O-RING P-7/HS75
15	3100101108	PISTON : A-108,A-110,A-120	37	1120200006	MOISTURIZING PAD
16	3990100063	SCREW SUS M2x6	38a	3120200033	HUMIDIFY TUBE (D.GY)
17	3100101110	ADJUST SCREW : A-108,110,120,210,220	38b	3120270003	HUMIDIFY TUBE (W.SV)
18a	3120280001	ROCK NUT : A-110,120 (D.GY)	39a	2120280100	CAP W/WATER FILLING PORT D.GY
18b	3120100005	ROCK NUT : A-110,120 (W.SV)	39b	2120270100	CAP W/WATER FILLING PORT W.SV
19	3101200062	ADJUST SPRING FOR L.P. : A-101,2,5,7,8,10,20			
20	3100101111	SPRING PAD : A-101,2,5,7,8,10,20			