

bio-metal mask

Skirt	soft surgical grade silicone with accordion design and anti bacterial treatment
Frame	strong slimline aluminum
Volume/Weight	115 cc / 4.2 oz
Skirt Options	black or clear
Frame Options	Stock colors: Metallic Blue, Metallic Silver, and Black Special Order colors: Metallic Red, Metallic Orange, and Metallic Gray (allow 4-6 weeks)
Price	\$139

the future looks bright



bio-metal pro



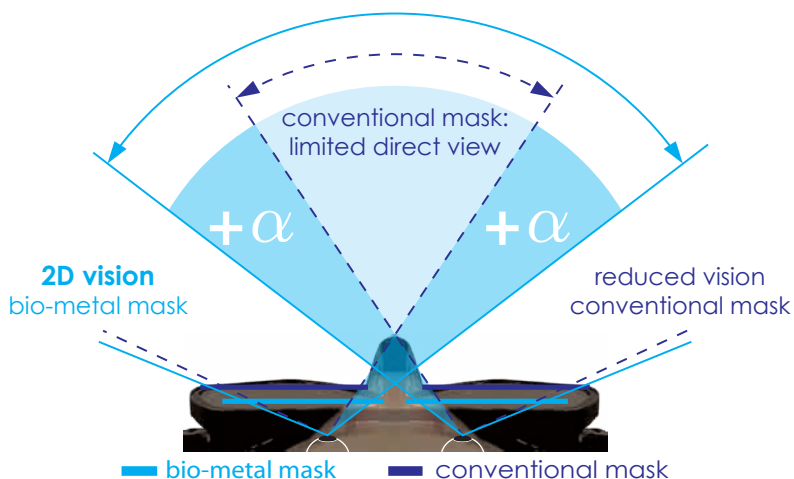
P.20



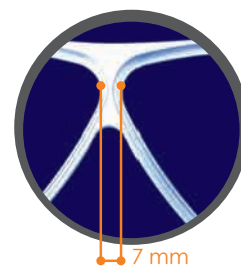
Rx **issue** the moment you slip on a mask; the frame blocks your peripheral vision.

solution bio-metal mask

Our top selling bio-metalmask is made with an aluminum frame. The result is a strong, lightweight mask with a minimal frame depth and very low inner volume. The minimal frame means that lenses will rest closer to the eye for a 180° field of vision **ISSUE 2** Divers often feel a slight distortion of view. The wide bridge of the average mask hinders proper alignment between the lens and actual eye center. Plastics simply can't be made thin enough. **SOLUTION** We chose aluminum because it allows for a reduced bridge and a more natural placement in relation to center of eyes. **ISSUE 2** Many manufacturers cut cost by using low grade silicone. The result is a stiff, uncomfortable skirt. **SOLUTION** All Apollo masks are built with a soft surgical grade silicone skirt. Skirt collapses according to style; creating a better seal and eliminating stress points on delicate facial skin.



The thicker frame of a conventional mask will limit what you can see. At a mere 7 mm, the center pillar of our Bio-metal mask ensures an expansive field of vision that is simply not possible with other masks. A slim, closer fitting frame increases your line of site so you can see further, take in more, and dive safer.



bio-metal mask *pro*

S0-3 Special order produCt. Allow 3 weeks for delivery.

NEW



Bio-metal mask **PRO**

- Colors: Chrome/ black & Dark Chrome / black
- Skirt: High tech Ultra low volume 60 cc skirt
- Includes padded carry bag
- optional accessory: patented LED light system
- optional accessory patented Flip-up magnification

180° x 102° = Awesome view!

At a nominal 60 cc of internal volume, the lens sits close enough to produce nearly 180° horizontal field of vision. Vision needs and body position are different when actually in the water. Traditional masks do not accommodate the need for increased lower vision. Like our award winning fins, we tweaked the angle to work with the most natural body position during a dive. The slight angle close to triples the lower viewing capability and results in a spectacular 120° vertical field of vision.



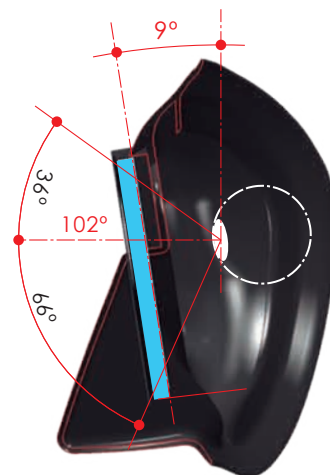
raised skirt for stability



twin curved rim



Awesome view ...



115cc 60cc internal volume



- low profile skirt bio-metal
- ultra low profile skirt bio-metal **pro**

Frame Stainless steel, ceramic coating, extremely durable and corrosion resistant. Designed to easily accommodate optional LED lights and Flip-up magnification lens.

Skirt High tech design and extremely low internal volume for highest degree of comfort and most extensive field of vision. Technical design, flexible material and twin rim provides and excellent fit for small to large faces.

-Highest-grade surgical silicone, treated for increased resistance to bacteria build-up, black is used for maximum color clarity.

-Twin curved rim ensures snug seal, maximum comfort and least amount of surrounding pressure on delicate facial skin.

-Matte finished interior diffuses light and significantly reduces glass reflection.

-Unique stabilizing lip integrated into skirt, and positioned below outer lens area. Significantly relieves compression at depth, particularly between eye and cheek area. This serves dual purpose of increasing comfort and reduction of internal volume.

- Field of vision a phenomenal 180° horizontal x 102° vertical.

Bag (included with mask) black, padded, integrated drainage panel and carry strap. \$300 **S0-3** Special order product. Allow 3 weeks for delivery.

prestige

classic diving mask



Black/bk



Black/clr



Blue/clr



Yellow/bk



White/clr



Pink/clr (color retired)

Model prestige (since 1990)
 Skirt soft surgical grade silicone with accordion design and antibacterial treatment
 Frame high impact plastic
 Volume 160 cc
 Weight 4.8 Oz



- reduced center pillar increases field of vision
- engineered to reduce distance between eye and lens to minimize naturally occurring distortion
- high quality surgical silicone skirt designed to collapse accordion style to eliminate stress on soft tissue of facial area
- built-in drainage channels for hands free clearing
- colors black/bk, black, blue yellow, white, and pink \$75

RX Prescription lenses
 -1.5 to -8.0

ecodiver

PRODUCT RETIRED
 \$65 MSRP

classic diving mask

Model ecodiver (since 1994)
 Skirt soft surgical grade silicone with accordion design and antibacterial treatment

Frame high impact plastic
 Volume 165 cc
 Weight 4.9 Oz

- high quality surgical silicone skirt designed to collapse accordion style to eliminate stress on soft tissue of facial area
- built-in drainage channels for hands free clearing
- colors black, pink, and blue



RX Prescription lenses
 -1.5 to -8.0

prestige

stowable snorkel



stowable snorkel

- awarded 4-star rating by Scuba Diving magazine - September 2002
- louvered cap to wick away water
- integrated stops on tube help keep your snorkel in place
- mask clip swivels for a more natural placement
- strap attachment is hinged with a quick release clip for easy adjustments and removal
- angled tube reduces jaw fatigue
- soft comfortable silicone mouth piece
- flexible polyurethane tube bends easily for storage in a bc pocket
- stowed length is 7" colors: black, white, yellow, metallic blue & metallic silver \$39
- black, metallic blue, and metallic silver are a great match with our bio-metal mask

Spares

- spare mask strap \$20.00 all current models
- optical lens set \$70.00 prestige and ecodiver -1.5 to -8.0 (.5 increments)
- spare mouthpiece \$15.00